

Specification Of Furniture

Box Type Double Bed :- (Size =6'-0"x6'-3")X16"

Material to Use For Frame 3.5" X 1.5" & Legs 3 X 3"of sheesham Wood Back and Front Side make of waterproof plywood 18mm & top with 12mm thick ply (ply should be used century kitply & greenlam) detail as per photograph attached. Back & front should be finished with teak ply P.U. polish is used.

Wooden Chair :-

Wooden chair of Sheesham of Standard size as per photograph seat & back cushioned with jute cloth/leather P.U. polish is used.

Center Table :- (size 1'-9"x3'-6")

Sheesham wood frame+ legs 2.25" X 2.25 & top 18mm thick ply (century kitply & greenlam) with 1mm sunmica (teak facing) & edge should be covered with moulding of teak wood having P.U. polish over all.

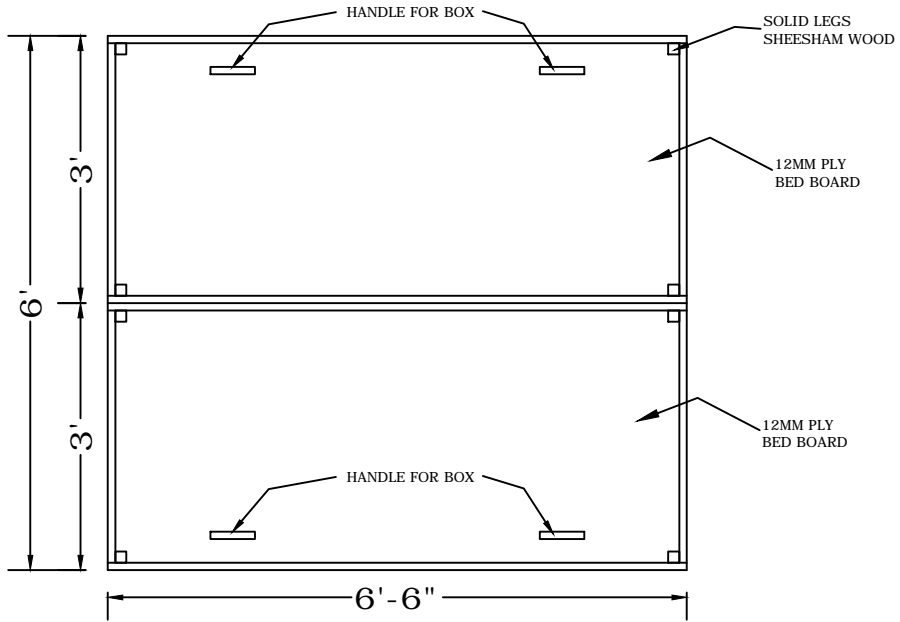
Dressing Table :- (Size =2'-0"x1'-9"x2'-6")

Sheesham wood frame top make 18mm thick plywood (century kitply & greenlam) with Decorated teak ply with pu polish.

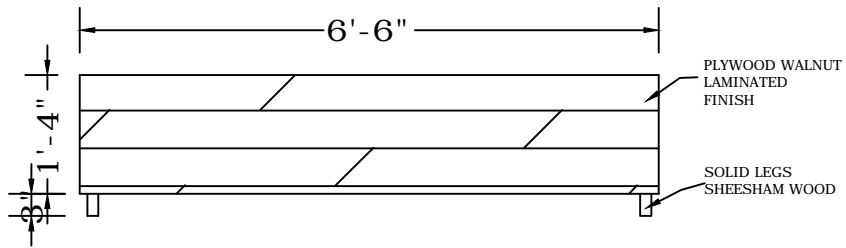
Looking mirror :- (Size =760mmx1065mm)

Detail as per photograph

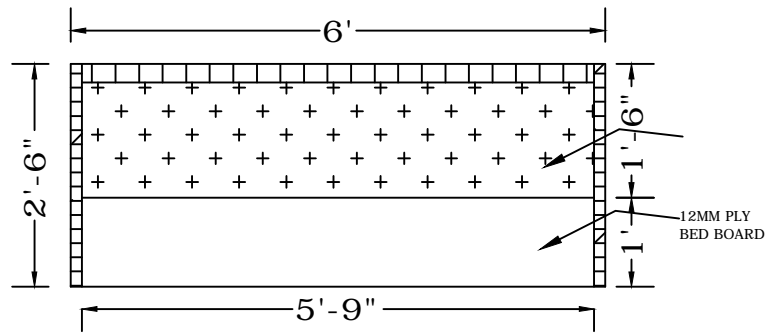
Note :- Wood should be checked before polishing.



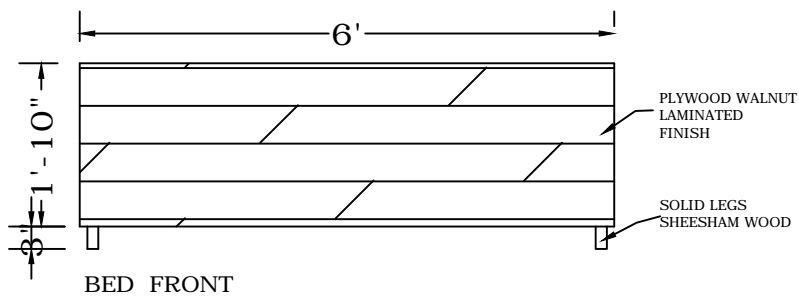
BED PLAN



BED SIDE



BED BACK



BED FRONT

CHAIR



Handwritten signature or initials

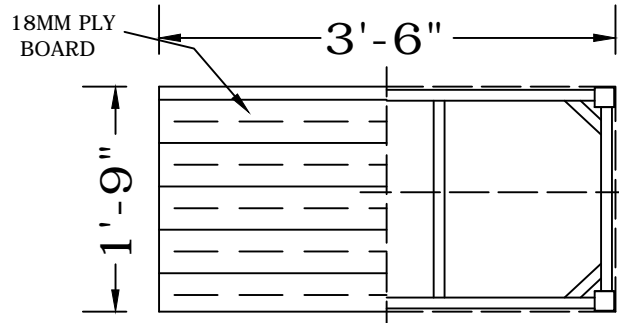


TABLE PLAN

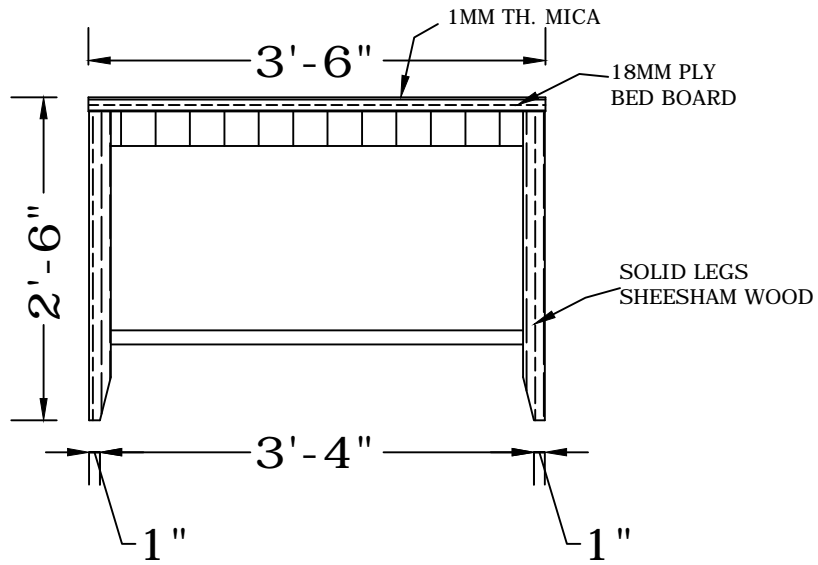


TABLE FRONT

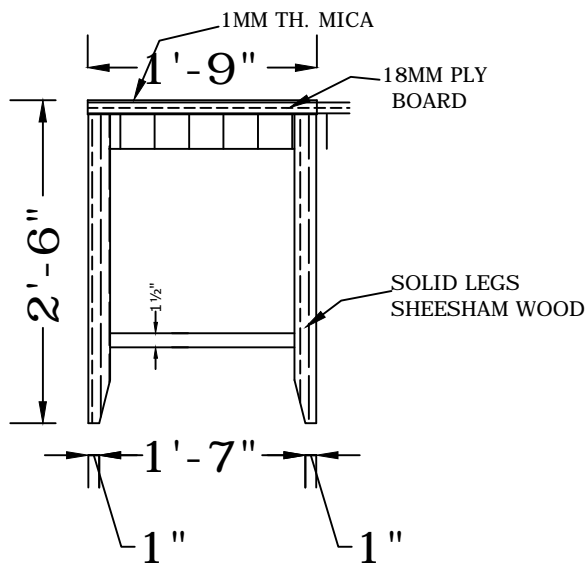


TABLE SIDE

